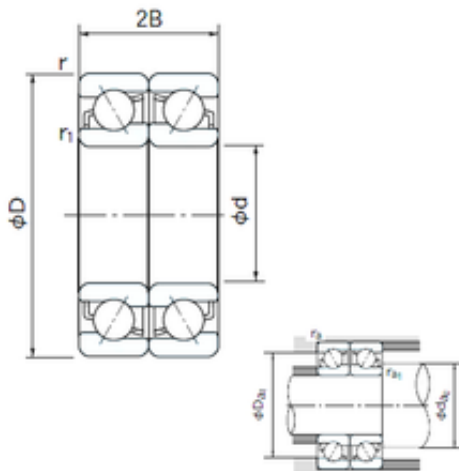




# BEARING-THAILAND CO.,LTD.

## 75 mm x 160 mm x 37 mm NACHI 7315DF angular contact ball bearings



Bearing No. 7315DF

Size	75x160x37 mm
Bore Diameter	75 mm
Outer Diameter	160 mm
Width	37 mm
d	75 mm
D	160 mm
B	37 mm
C	37 mm
Angle ( ° )	30 °
a	15.4 mm
r min.	2.1 mm
r1 min.	1.1 mm
2B	74 mm
da min.	82 mm
Da max.	153 mm
ra max.	1 mm
Weight	3.15 Kg
Basic dynamic load rating (C)	221 kN
Basic static load rating (C0)	212 kN
(Grease) Lubrication Speed	3000 r/min
Bore Type	Cylindrical Bore
Enclosure	Open
Configuration	Duplex
Bore Size	75 mm
Outside Diameter	160 mm

7315DF Bearing 2D drawings and 3D CAD models



## BEARING-THAILAND CO.,LTD.

Width	37 mm
Fillet Radius/Chamfer	2.1 mm
r1	1.1 mm
Dynamic Load Rating	221,000 N
Static Load Rating	212,000 N
Limiting Speed - Grease	3,000 rpm
Limiting Speed - Oil	4,000 rpm
da1 (min)	87 mm
da2 (min)	82 mm
Da1 (max)	148 mm
Da2 (max)	153 mm
ra (max)	2 mm
ra1 (max)	1 mm