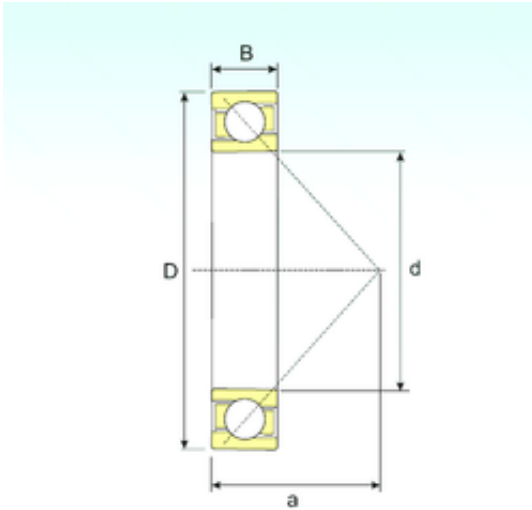




## BEARING-THAILAND CO.,LTD.



7211 B Bearing 2D drawings and 3D CAD models

55 mm x 100 mm x 21 mm ISB 7211 B angular contact ball bearings

Bearing No. 7211 B

Size	55x100x21 mm
Bore Diameter	55 mm
Outer Diameter	100 mm
Width	21 mm
d	55 mm
D	100 mm
B	21 mm
C	21 mm
a	43 mm
Weight	0,62 Kg
Basic dynamic load rating (C)	47,82 kN
Basic static load rating (C0)	37,24 kN
(Grease) Lubrication Speed	5737,5 r/min