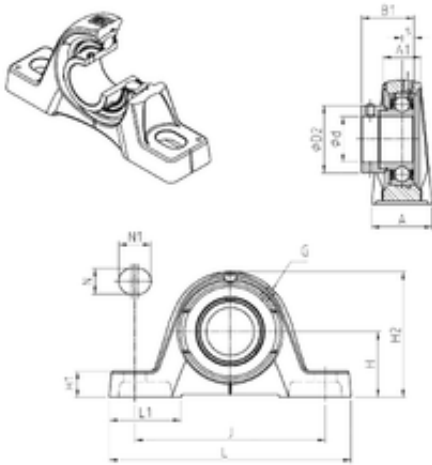




# BEARING-THAILAND CO.,LTD.

## SNR ESPE207 bearing units

Bearing No. ESPE207



ESPE207 Bearing 2D drawings and 3D CAD models

Bore Diameter	35 mm
d	35 mm
s	9,5 mm
A	45 mm
A1	27 mm
B1	38,9 mm
D2	55,6 mm
H	47,6 mm
H1	19 mm
H2	93 mm
J	126 mm
L	163 mm
L1	49 mm
N	14 mm
N1	21 mm
Thread (G)	R1/8"
Weight	1,6 Kg
Basic dynamic load rating (C)	25,7 kN