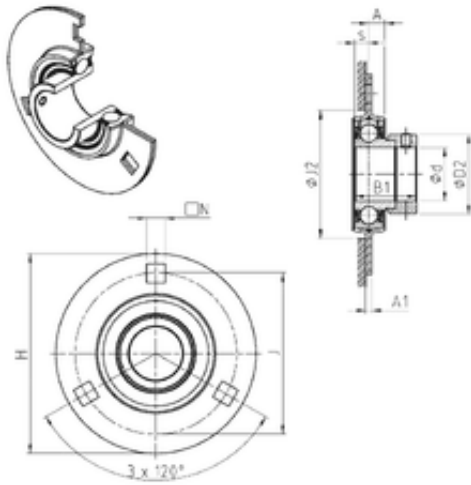




# BEARING-THAILAND CO.,LTD.



## SNR ESPF202 bearing units

Bearing No. ESPF202

Bore Diameter	15 mm
d	15 mm
s	6,5 mm
A	6,7 mm
A1	4 mm
B1	28,6 mm
D2	28,6 mm
H	81 mm
N	7,1 mm
J1	63,5 mm
J2	49 mm
Weight	0,2 Kg
Basic dynamic load rating (C)	9,55 kN

ESPF202 Bearing 2D drawings and 3D CAD models