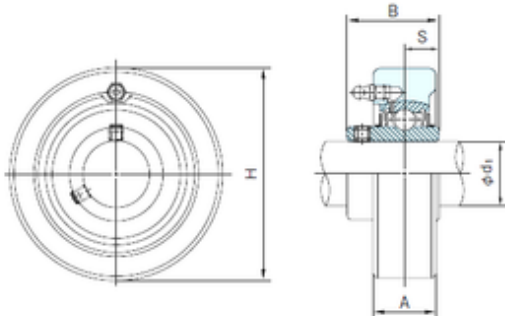




BEARING-THAILAND CO.,LTD.

NACHI UCC203 bearing units



Bearing No. UCC203

Bore Diameter	17 mm
Width	31 mm
d	17 mm
A	20 mm
B	31 mm
H	72 mm
S	12.7 mm

UCC203 Bearing 2D drawings and 3D CAD models