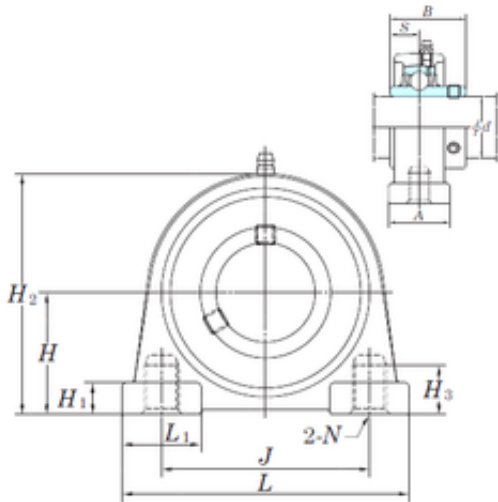




BEARING-THAILAND CO.,LTD.

KOYO UCSPA206H1S6 bearing units

Bearing No. UCSPA206H1S6



UCSPA206H1S6 Bearing 2D drawings and 3D CAD models

Bore Diameter	30 mm
Width	38,1 mm
d	30 mm
H3	18 mm
A	36 mm
B	38,1 mm
H	42,9 mm
H1	12 mm
H2	81 mm
J	66 mm
L	94 mm
L1	28 mm
S	15,9 mm
Bolt (G)	M14 × 2
Weight	0,91 Kg
Basic dynamic load rating (C)	16,5 kN
Basic static load rating (C0)	9,05 kN