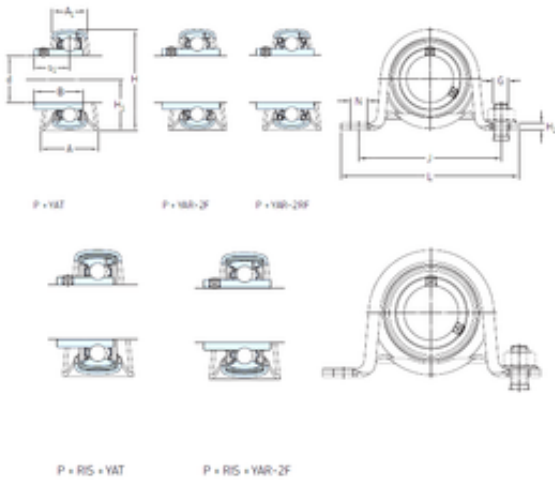




BEARING-THAILAND CO.,LTD.



SKF P 62 R-25 TF bearing units

Bearing No. P 62 R-25 TF

Bore Diameter	25 mm
d	25 mm
s ₁	19,8 mm
A	38 mm
A ₁	25 mm
B	34,1 mm
H	66 mm
H ₁	32,9 mm
H ₂	4 mm
J	95 mm
L	119 mm
N	11,2 mm
Thread (G)	10
Weight	0,38 Kg
Basic dynamic load rating (C)	14 kN
Basic static load rating (C ₀)	7,8 kN
Housing material	Pressed steel
A ₁	25 mm
B ₄	5 mm
H ₁	33 mm
H ₂	4 mm
s ₁	19.8 mm
Basic dynamic load rating C	14 kN
Basic static load rating C ₀	7.8 kN
Fatigue load limit P _u	0.335 kN
Permissible radial housing	2.6 kN

P 62 R-25 TF Bearing 2D drawings and 3D CAD models



BEARING-THAILAND CO.,LTD.

load max.	
Limiting speed	7000 r/min
Mass bearing unit	0.37 kg
Thread grub screw G ₂	M6x0.75
Hexagonal key size for grub screw N	3 mm
Recommended tightening torque for grub screw	4 N · m
Recommended diameter for attachment bolts, mm G	10 mm
Recommended diameter for attachment bolts, inch G	0.375 in
Housing	P 62
Bearing	YAR 205-2F
Rubber seating ring	RIS 205