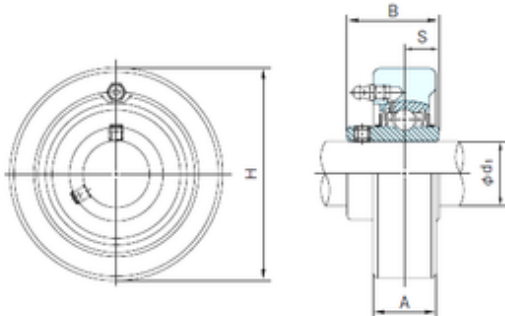




BEARING-THAILAND CO.,LTD.

NACHI UCCX06 bearing units



Bearing No. UCCX06

Bore Diameter	30 mm
Width	42.9 mm
d	30 mm
A	30 mm
B	42.9 mm
H	100 mm
S	17.5 mm

UCCX06 Bearing 2D drawings and 3D CAD models