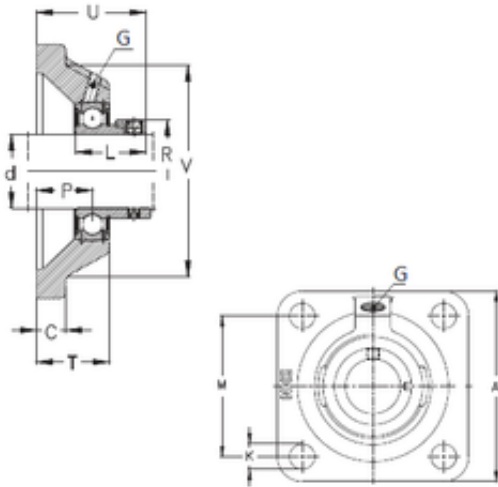




# BEARING-THAILAND CO.,LTD.

## NKE PCJY60-N bearing units

Bearing No. PCJY60-N



PCJY60-N Bearing 2D drawings and 3D CAD models

Bore Diameter	60 mm
d	60 mm
P	34 mm
V	150 mm
U	68 mm
K	18 mm
A	175 mm
C	16 mm
L	47 mm
M	143 mm
T	46 mm
Thread (G)	R1/8 "