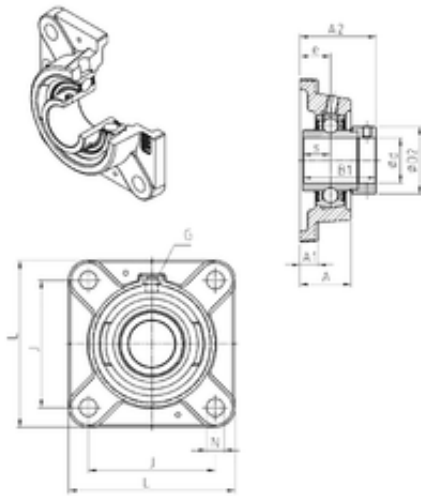




BEARING-THAILAND CO.,LTD.

SNR EXFE205 bearing units

Bearing No. EXFE205



EXFE205 Bearing 2D drawings and 3D CAD models

Bore Diameter	25 mm
d	25 mm
e	19 mm
s	17,4 mm
A	30 mm
A1	11 mm
B1	44,3 mm
D2	38,1 mm
J	70 mm
L	95 mm
N	11,5 mm
Thread (G)	R1/8"
A2	45,9 mm
Weight	0,9 Kg
Basic dynamic load rating (C)	14 kN