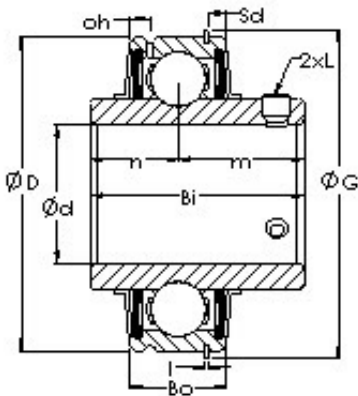




BEARING-THAILAND CO.,LTD.



AST ER210 bearing units

Bearing No. ER210

Bore Diameter	50 mm
Outer Diameter	90 mm
Bearing Type	Metric Bore Diameter
Bore Dia (d)	50.0000
Outer Dia (D)	90.0000
Outer Width (Bo)	28.0000
Inner Width (Bi)	51.6000
Dynamic Load Rating (Cr)	35,095
Static Load Rating (Cor)	23,232
Bearing Inner Race Width - Short Side (n)	19.0000
Bearing Inner Race Width - Extended Side (m)	32.6000
Bearing Collar Set Screw (L)	M10 X1.25
Snap Ring Dia. (G)	96.3000
Snap Ring Location (Sd)	3.2000
Snap Ring Thickness (l)	2.4000
Relubrication Hole Location (oh)	7.5000
Shaft Dia., Nominal (d)	50.0000
Weight (g)	979.76

ER210 Bearing 2D drawings and 3D CAD models