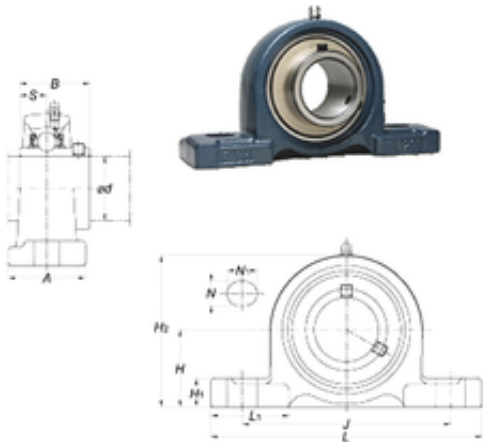




# BEARING-THAILAND CO.,LTD.

## FYH UCPX14-44 bearing units



Bearing No. UCPX14-44

|                               |          |
|-------------------------------|----------|
| Bore Diameter                 | 69,85 mm |
| Width                         | 77,8 mm  |
| d                             | 69,85 mm |
| A                             | 89 mm    |
| B                             | 77,8 mm  |
| H                             | 88,9 mm  |
| H1                            | 32 mm    |
| H2                            | 171 mm   |
| J                             | 229 mm   |
| L                             | 330 mm   |
| L1                            | 98 mm    |
| N                             | 27 mm    |
| N1                            | 50 mm    |
| S                             | 33,3 mm  |
| Bolt (G)                      | M22      |
| Weight                        | 10,2 Kg  |
| Basic dynamic load rating (C) | 67,4 kN  |
| Basic static load rating (C0) | 48,3 kN  |

UCPX14-44 Bearing 2D drawings and 3D CAD models