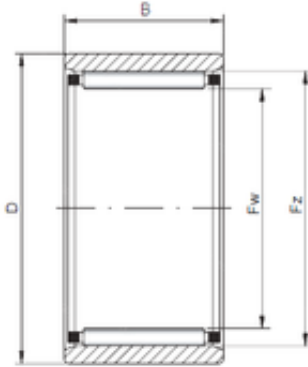




BEARING-THAILAND CO.,LTD.

40 mm x 55 mm x 40 mm ISO RNAO40x55x40
cylindrical roller bearings



Bearing No. RNAO40x55x40

Size	40x55x40 mm
Bore Diameter	40 mm
Outer Diameter	55 mm
Width	40 mm
d	40 mm
Fw	40 mm
D	55 mm
Ew	48 mm
B	40 mm
C	40 mm

RNAO40x55x40 Bearing 2D drawings and 3D CAD models