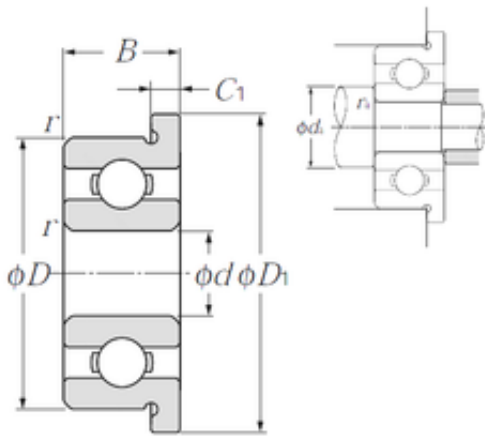




BEARING-THAILAND CO.,LTD.

7 mm x 11 mm x 2,5 mm NTN FL677 deep groove ball bearings

Bearing No. FL677



FL677 Bearing 2D drawings and 3D CAD models

Size	7x12.2x2.5 mm
Bore Diameter	7 mm
Outer Diameter	12,2 mm
Width	2,5 mm
d	7 mm
D	11 mm
D1	12,2 mm
B	2,5 mm
r min.	0,1 mm
C1	0,6 mm
da min.	7,8 mm
da max	8,1 mm
Da max.	10,2 mm
ra max.	0,1 mm
Weight	0,77 Kg
Basic dynamic load rating (C)	0,555 kN
Basic static load rating (C0)	0,269 kN
(Grease) Lubrication Speed	40 000 r/min
(Oil) Lubrication Speed	47 000 r/min