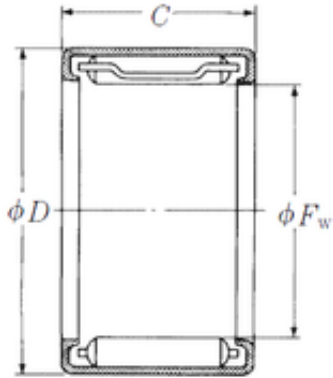




# BEARING-THAILAND CO.,LTD.

## NSK FJH-910 needle roller bearings



Bearing No. FJH-910

Size	9x15x10 mm
Bore Diameter	9 mm
Outer Diameter	15 mm
Width	10 mm
Fw	9 mm
D	15 mm
C	10 mm
Weight	0,0057 Kg
Basic dynamic load rating (C)	4,55 kN
(Grease) Lubrication Speed	24000 r/min
NB-DI	0
NA-DEX	0
hidYobi	FJH-910
LangID	1
D_	15
NC-SLR	5.56
B_	10
hidTable	ecat_NSDCNR
mass_k	5.7
GRS rpm	24000
NC-SLR1	0
C0	3.884
C1	10
Prod_Type3	NRB_DC_FJ- MFJ_WC_OT
d	9

FJH-910 Bearing 2D drawings and 3D CAD models



## BEARING-THAILAND CO.,LTD.

NC-RAC	0
Pmax	1910
N-SDM	0
yobi	FJH-910
C1_C2	1
ND-Z	0
OIL rpm	40000
NC-DA	2.358
N-KBRG	8201
NC-KMS	10