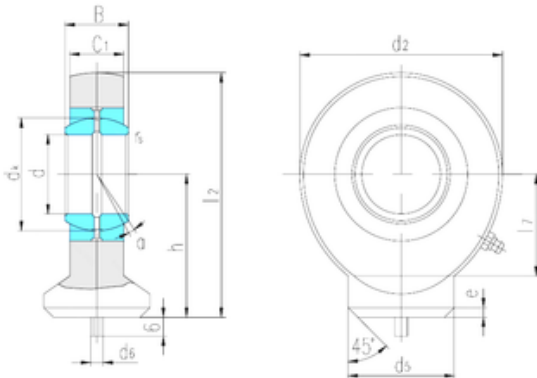




# BEARING-THAILAND CO.,LTD.

## LS SK60ES plain bearings

Bearing No. SK60ES



SK60ES Bearing 2D drawings and 3D CAD models

Bore Diameter	60 mm
d	60 mm
B	44 mm
d2	135 mm
d6	8 mm
dk	80 mm
h	100 mm
l1 min.	167,5 mm
l2 max.	72,5 mm
l7 min.	70 mm
r min.	1 mm
C1	38 mm
Angle	6 °
d5	6 r/min
Weight	4,6 Kg
Basic dynamic load rating (C)	245 kN